

ego

Axolight Lab



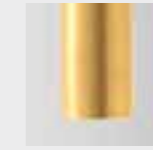
ego
Axolight lab

Lampada da soffitto o parete con struttura metallica in ottone naturale. Sorgente luminosa orientabile. LED integrato dimmerabile.

Ceiling or wall lamp with natural brass frame. Adjustable lighting source. Built-in dimmable LED.

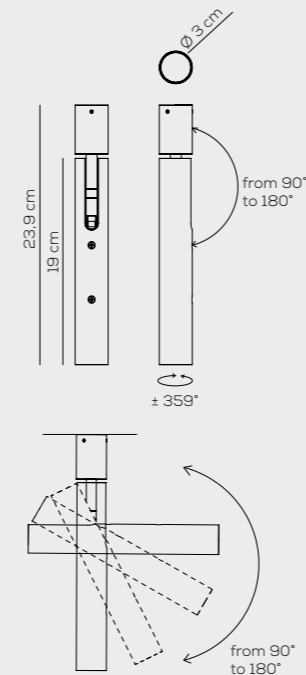
GENERAL INFORMATION

COLOURS



natural brass

FA EGO X 30
kg 0,5 m³ 0,004



CE ETL Intertek EAC

with dedicated PSU IP20 CRI 80 LED

Colours
OT natural brass

~30° beam - degree

3000K

LED 1 x 8,8 W - 250 mA, 35,2 Vdc
~1220 lm 139 lm/W source

example composition code
FA EGOX30 OT XX LED

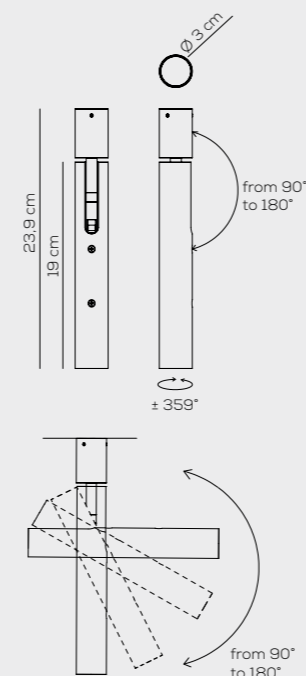
CEDLTC00123 on/off 250mA driver - Max 10W

CEDLTC00124 dimmable Phase Cut 250mA driver - Max 12W

CEDLTC00125 dimmable DALI 1-10V & PUSH 250mA driver - Max 28W

CEDLTC00126 dimmable DALI 250mA driver - Max 12W

FA EGO P 30
kg 0,5 m³ 0,004



CE ETL in progress EAC in progress

with dedicated PSU IP20 CRI 90 LED

Colours
OT natural brass

~30° beam - degree

3000K*
4000K available while stock last / fino ad esaurimento scorte

LED 1 x 3,2 W - 350 mA, 9 Vdc
~310 lm* 96 lm/W* source

example composition code
FA EGOP30 OT XX LED

CEDLTC00100 on/off 350mA driver - Max 8W

CEDLTC00101 on/off 350mA driver - Max 12W

CEDLTC00103 dimmable 1-10V 350mA driver - Max 25W

CEDLTC00104 dimmable DALI 350mA driver - Max 25W